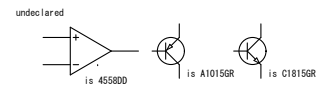
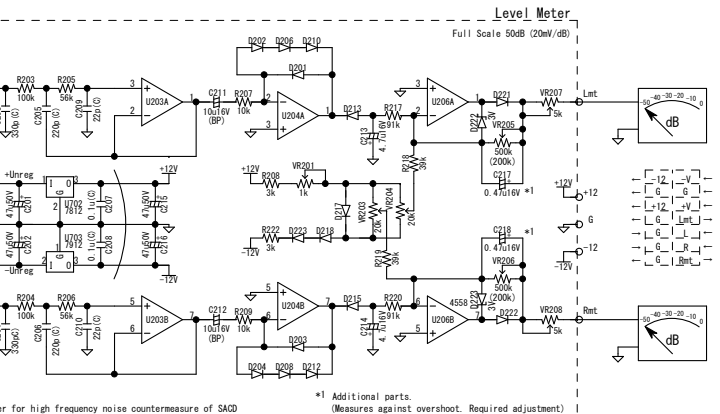
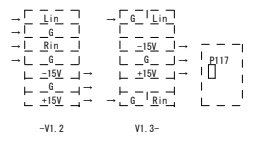


*1 Required when No DC servo. *2 Unnecessary. *3 TP1 to TP2 is 24mV or more (Consult with heat sink). *4 Usually short circuit. Insert for withstand of regulator. *5 DC servo (Unnecessary). *6 Depends on sound quality. Not required.



DC servo is not recommended because it causes deterioration of sound quality. Also, there is no protection even if it does not exist. Attention to the withstand voltage of the regulator (7812 7912)

TITLE		DRAWING No.	
Power Amplifier		V1.3	
SHEET	DATE	DESIGN	
	2019/4/28		