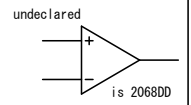
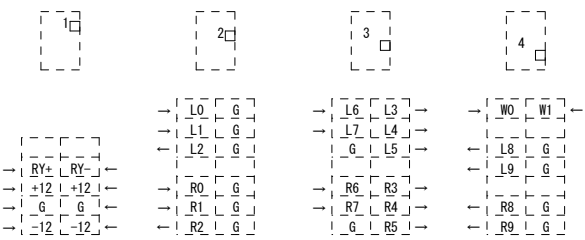
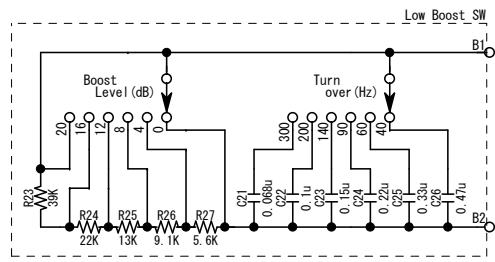
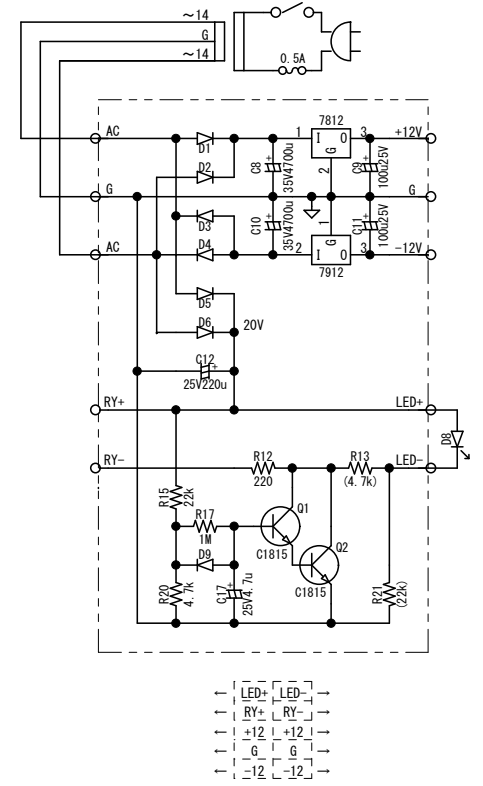


(Hz)	Ra (kΩ)
50	15.9
70	11.4
100	7.96
140	5.68
200	3.98
280	2.84
400	1.99
566	1.40
800	0.99



TITLE		DRAWING_No.	
		2Way / 3D	
		Channel Divider	
SHEET	DATE	DESIGN	
/	2014/08/04		