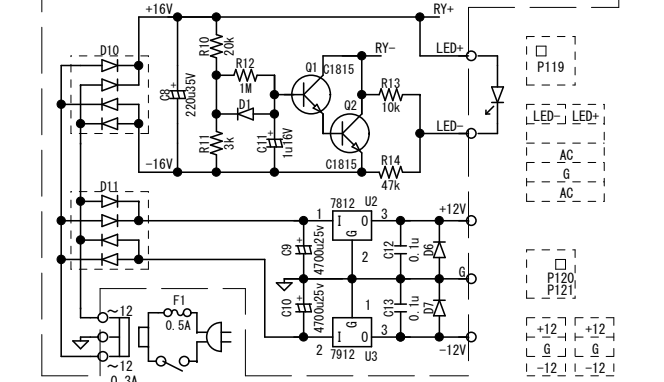
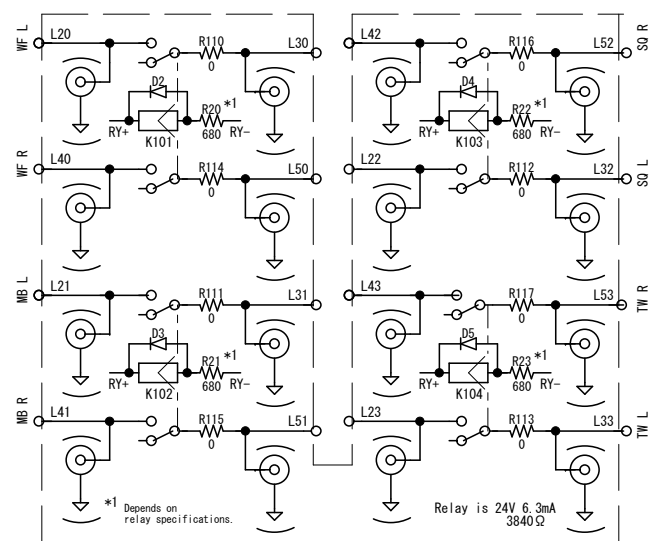
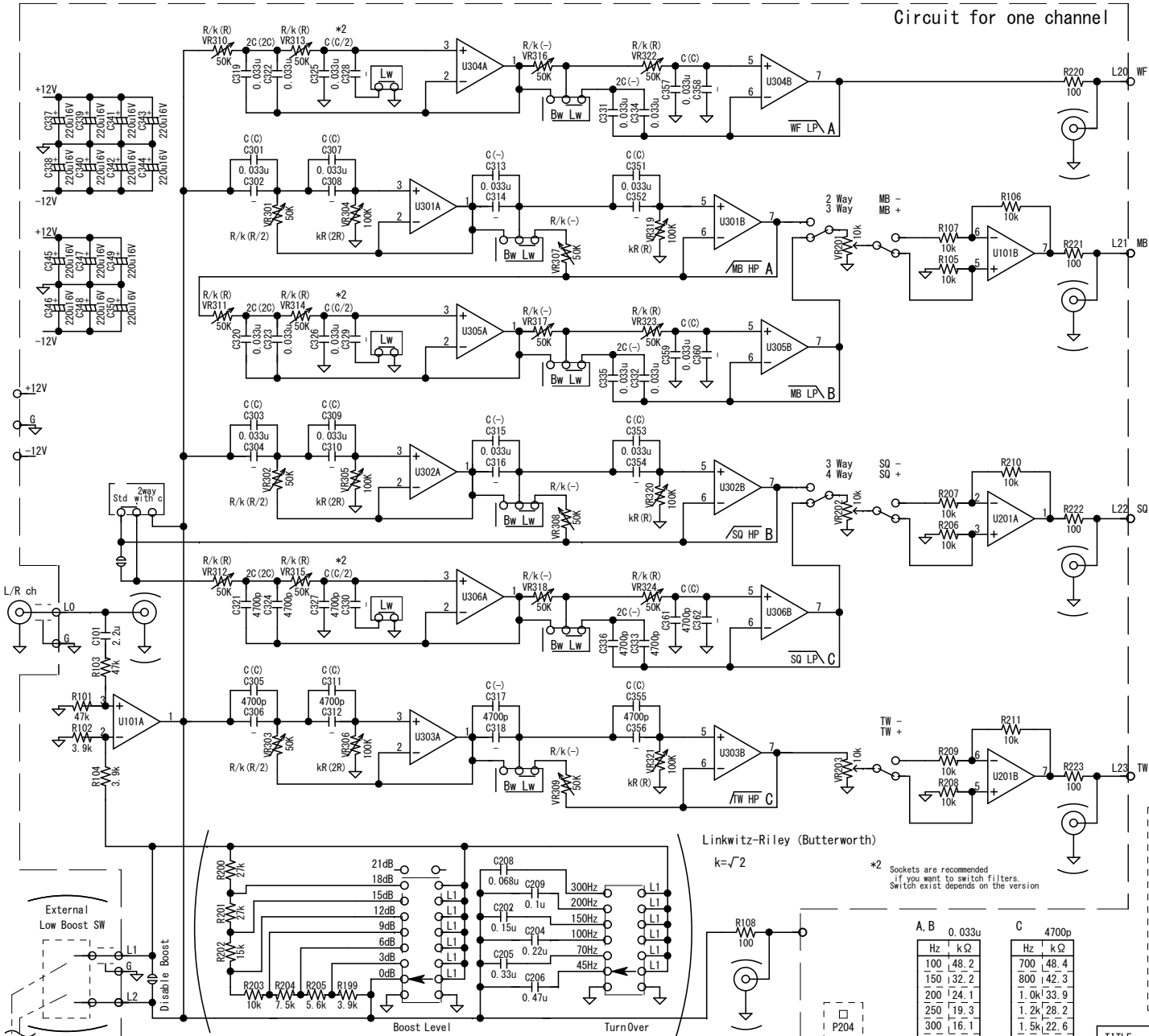
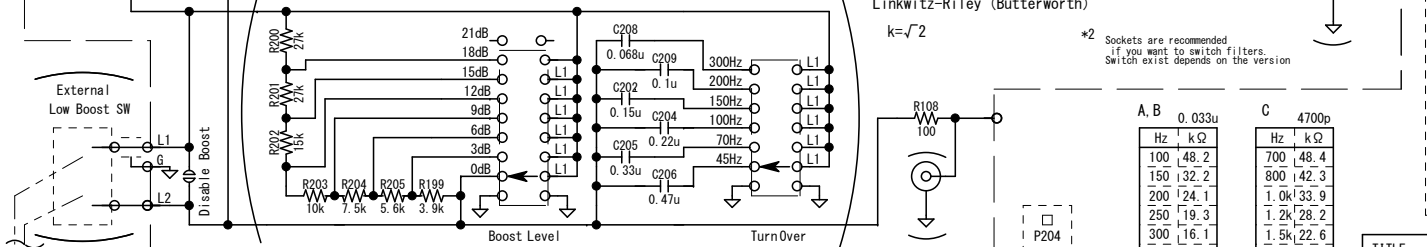


Circuit for one channel

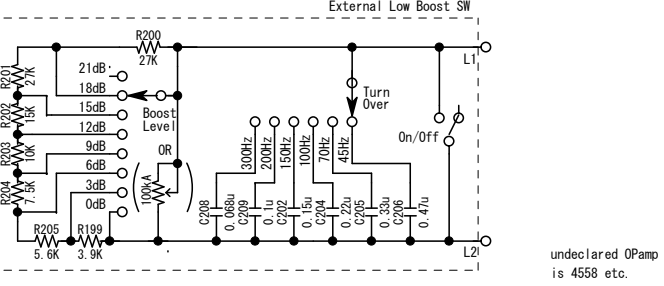


Linkwitz-Riley (Butterworth)

$k = \sqrt{2}$



Hz	kΩ	Hz	kΩ
100	48.2	700	48.4
150	32.2	800	42.3
200	24.1	1.0k	33.9
250	19.3	1.2k	28.2
300	16.1	1.5k	22.6
400	12.1	2.0k	16.9
500	9.65	3.0k	11.3
600	8.04	4.0k	8.47
700	6.89	5.0k	6.77
800	6.03	5.4k	6.27
1.0k	4.82	6.0k	5.64
1.2k	4.02	7.0k	4.84
1.5k	3.22	8.0k	4.23



TITLE		DRAWING No.	
		2Way / 3Way / 4Way Channel Divider V3.3	
SHEET	DATE	DESIGN	
		2023/6/8	

undeclared OPamp is 4558 etc.