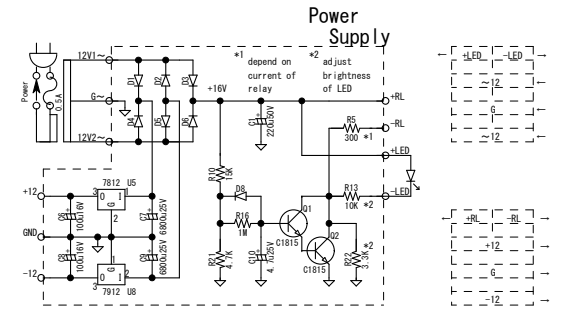
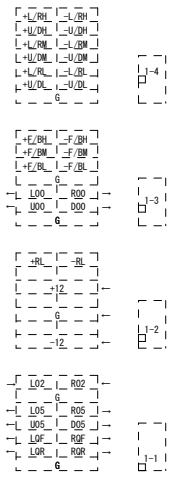
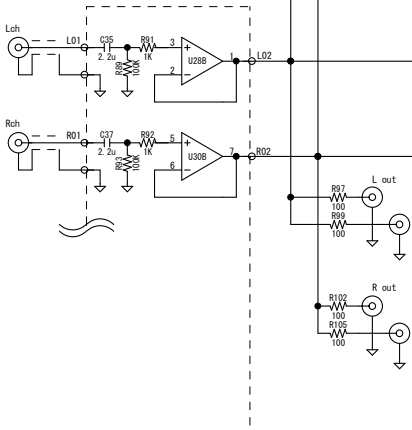
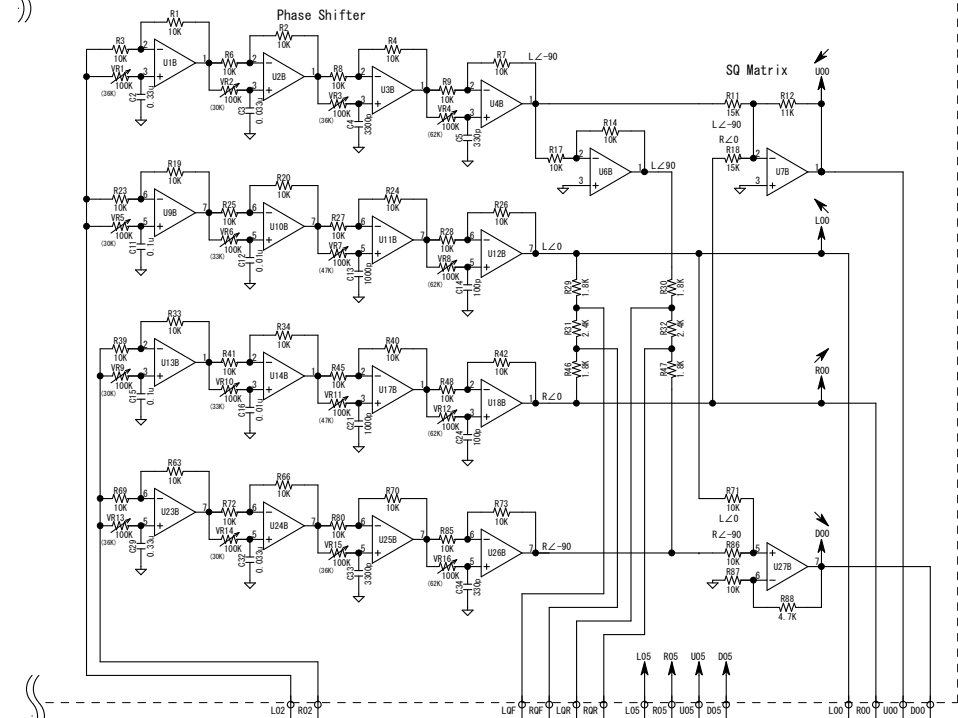
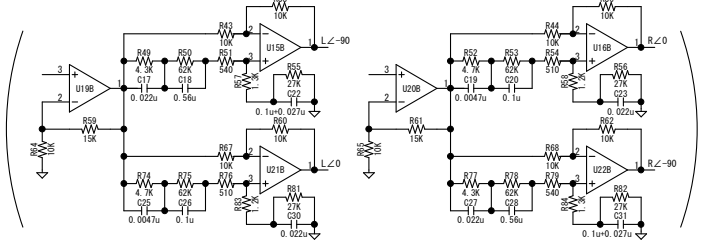


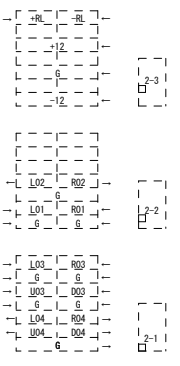
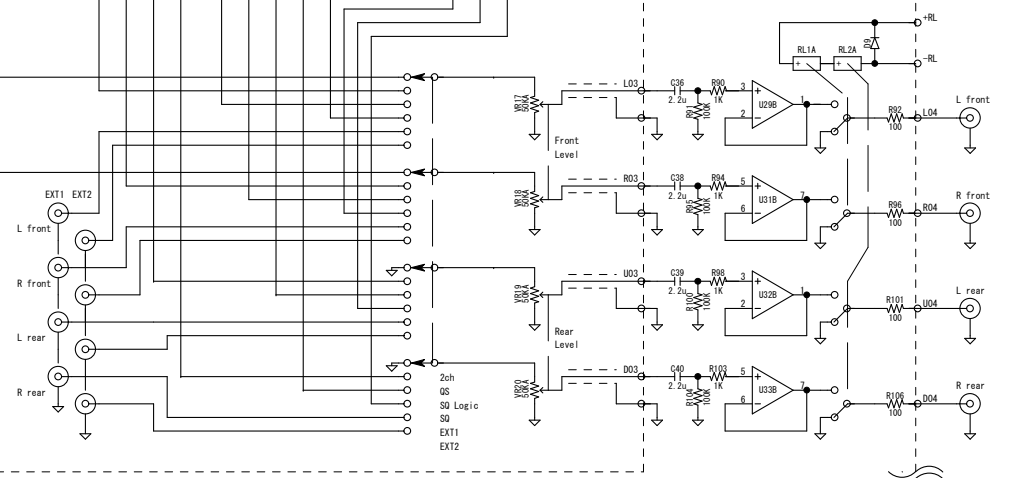
Board 1

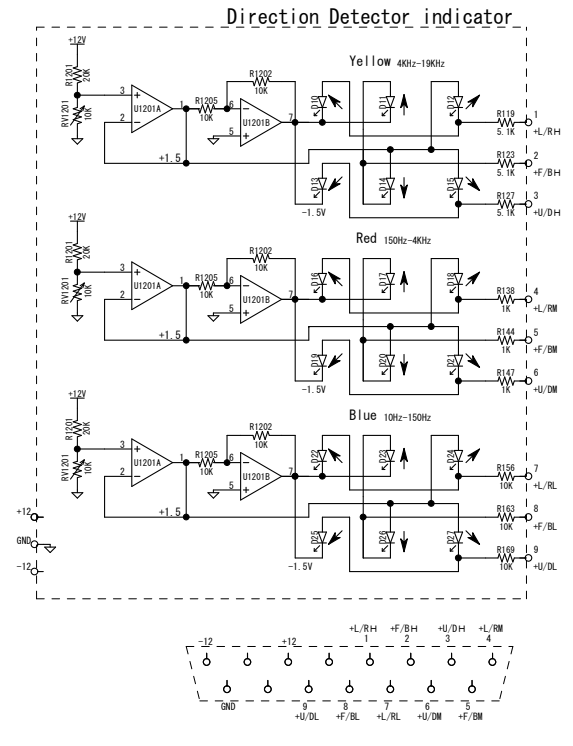
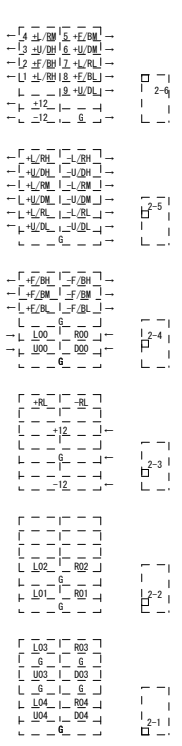
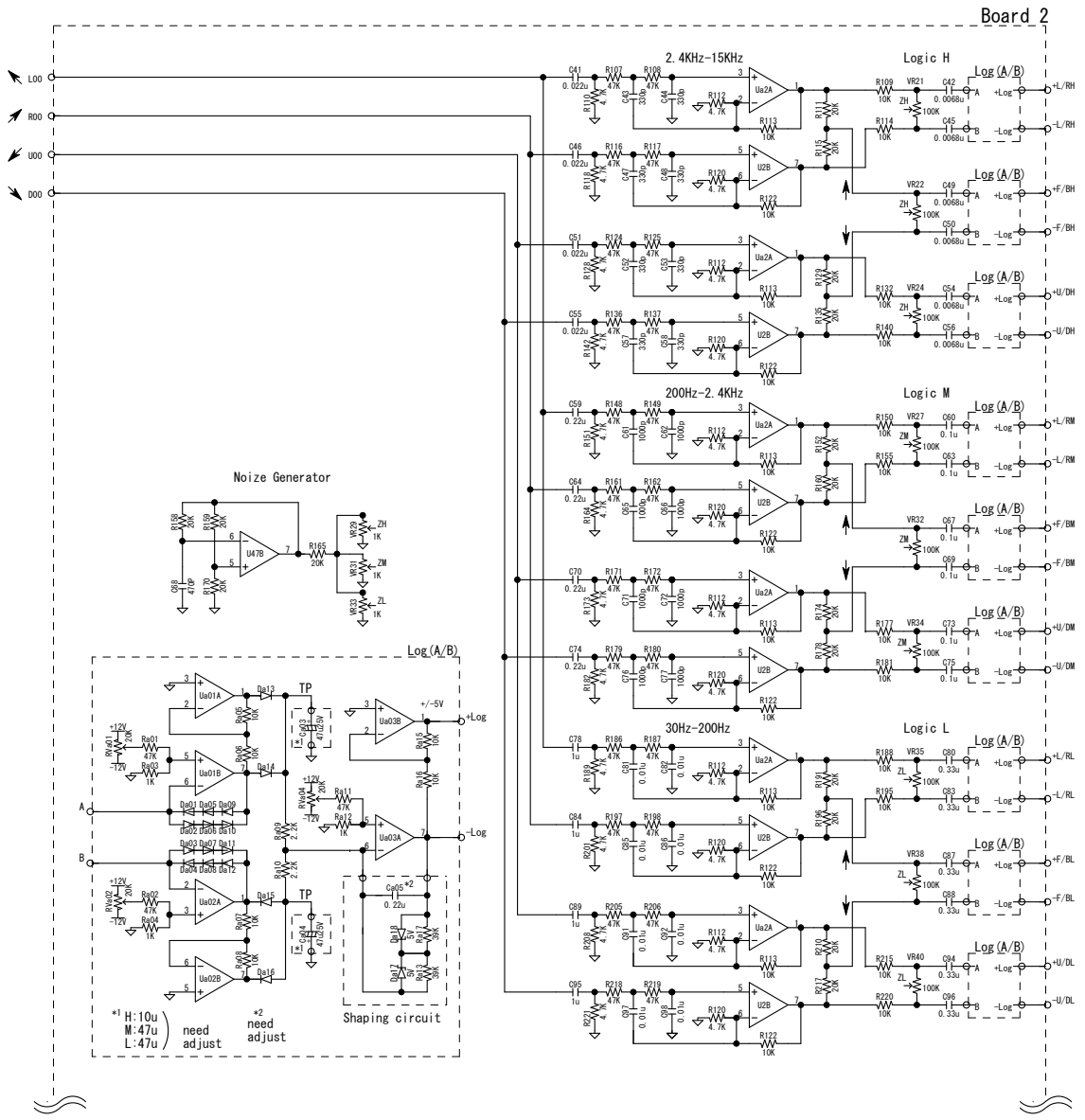


Simple phase Shifter ( Instead, Adjustment is difficult )



Board 2





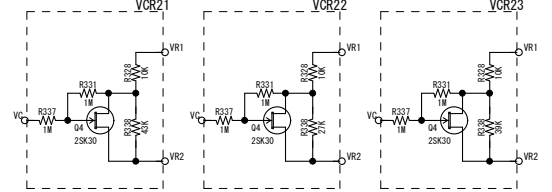
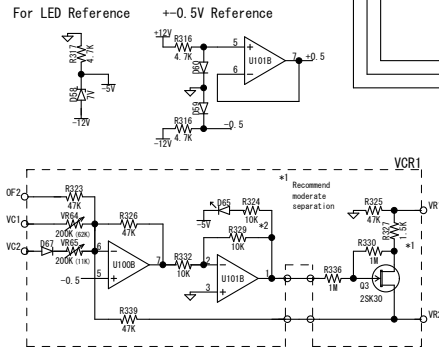
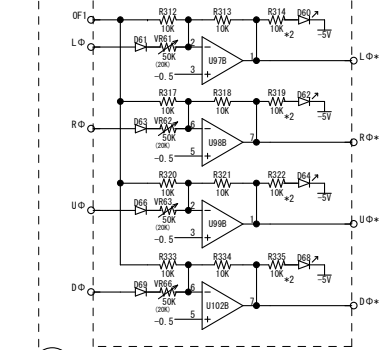
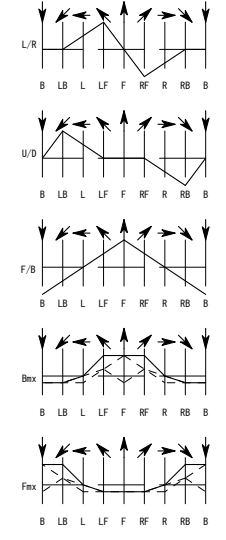
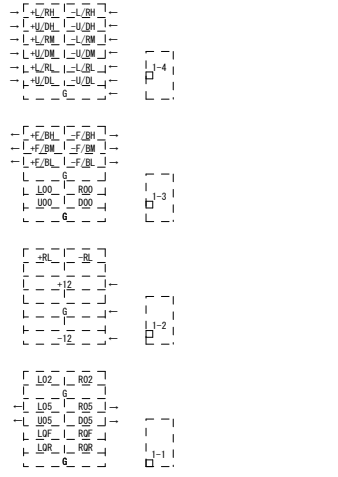
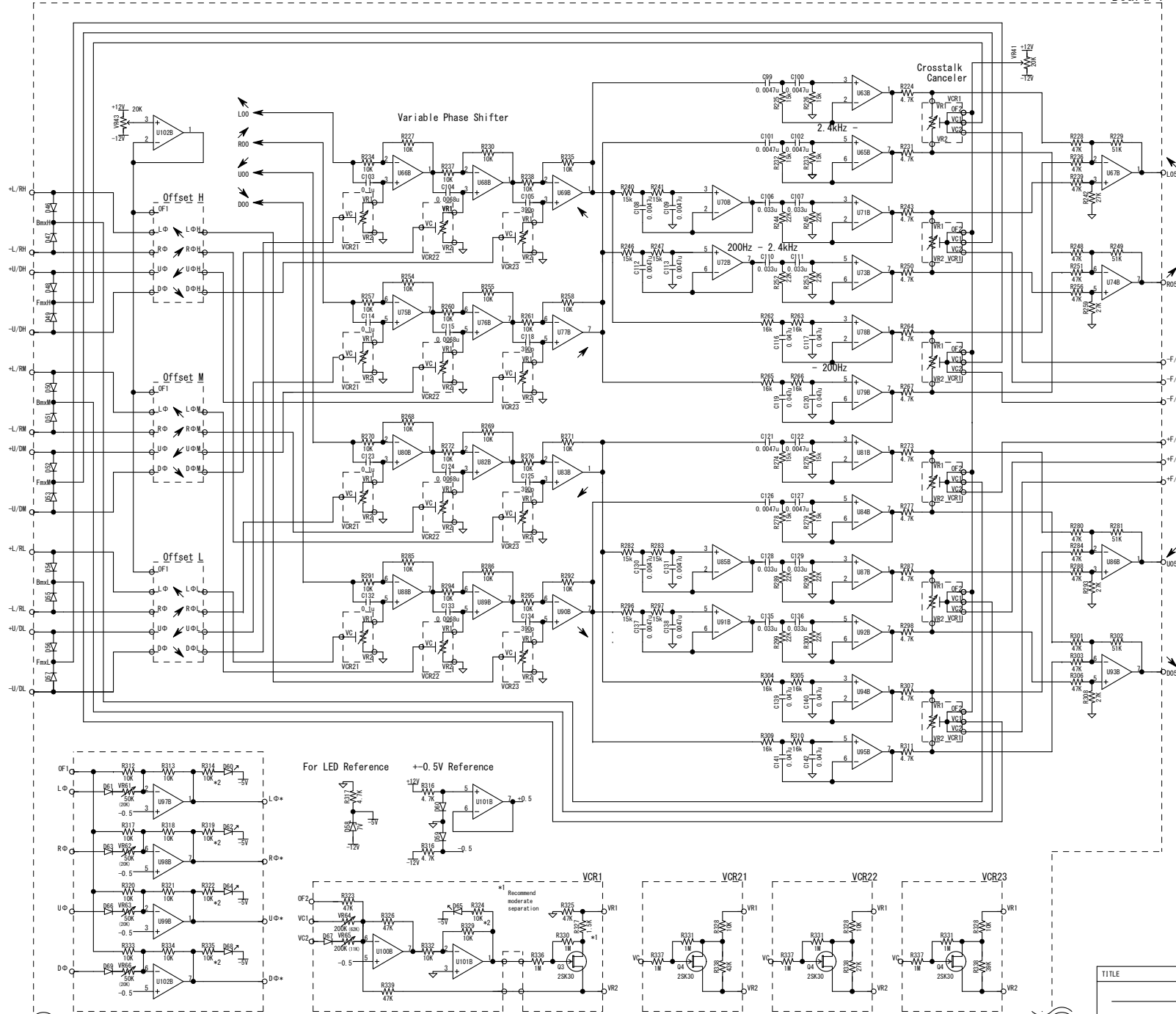
\*1 H: 10u  
 M: 47u  
 L: 47u

need adjust

\*2 need adjust

undeclared OPamp is 455800

TITLE		DRAWING No.	
		SQ 3Band Logic 4ch Decoder (page 2/3)	
SHEET	DATE	DESIGN	
/	2016/03/25		



TITLE		DRAWING No.	
		SQ 3Band Logic 4ch Decoder (page 3/3)	
SHEET	DATE	DESIGN	
	2016/03/25		

\*2  
Red is 1K, Blue/White is 10K  
undeclared OPamp is 4558BD