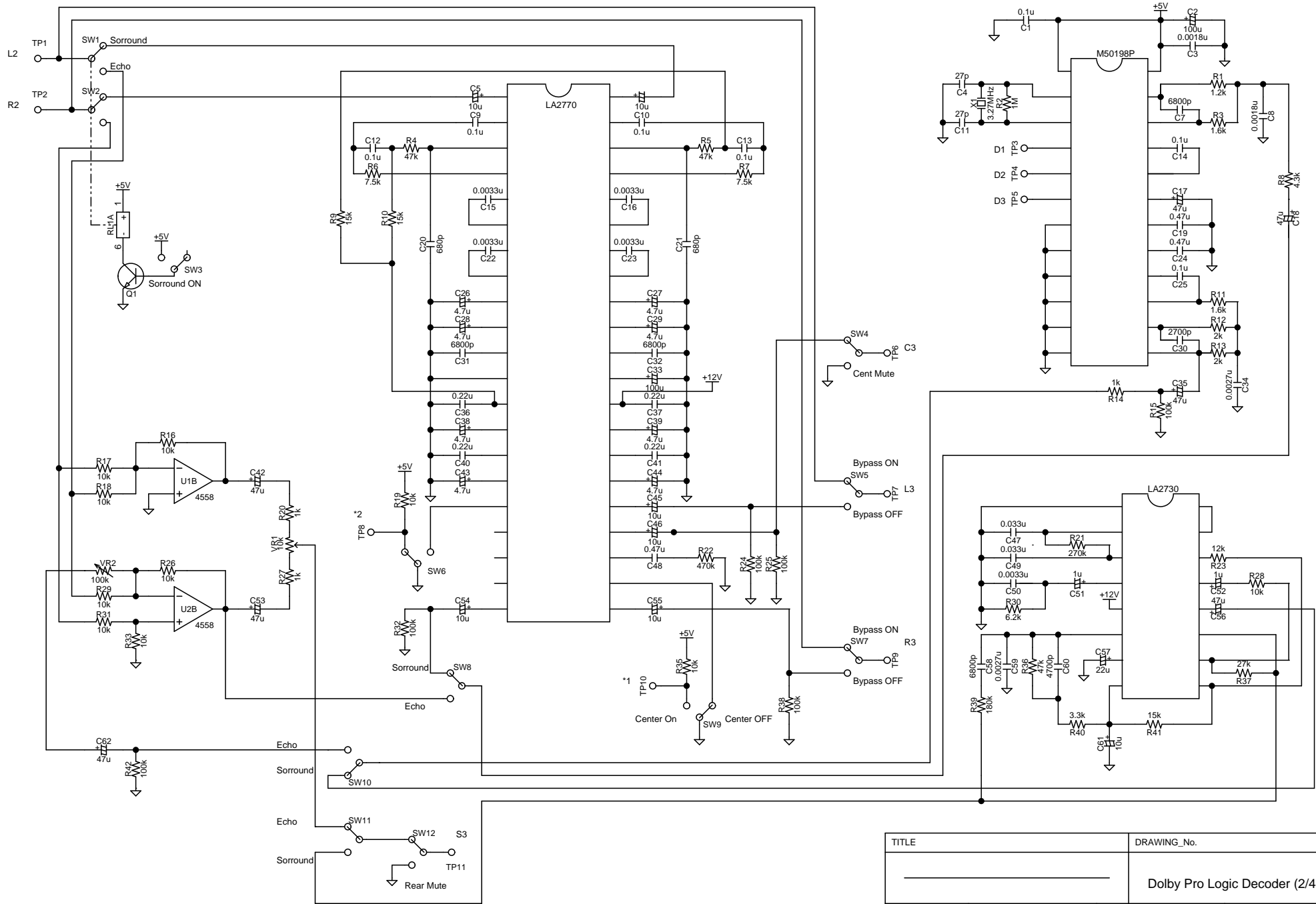
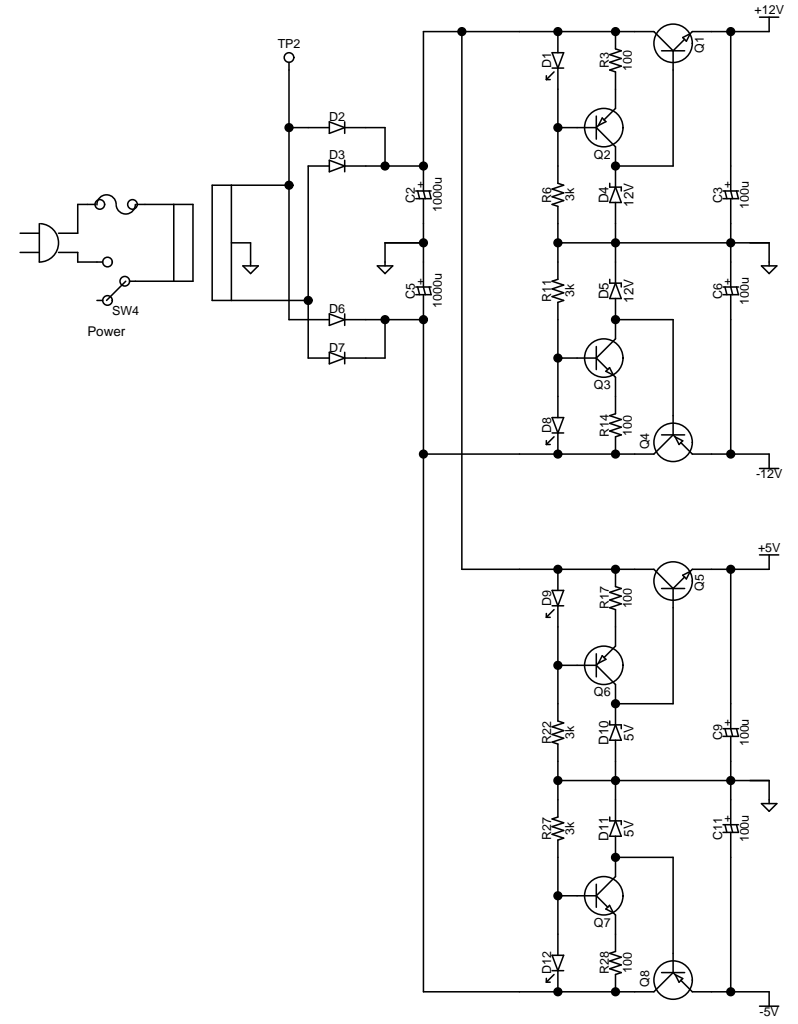
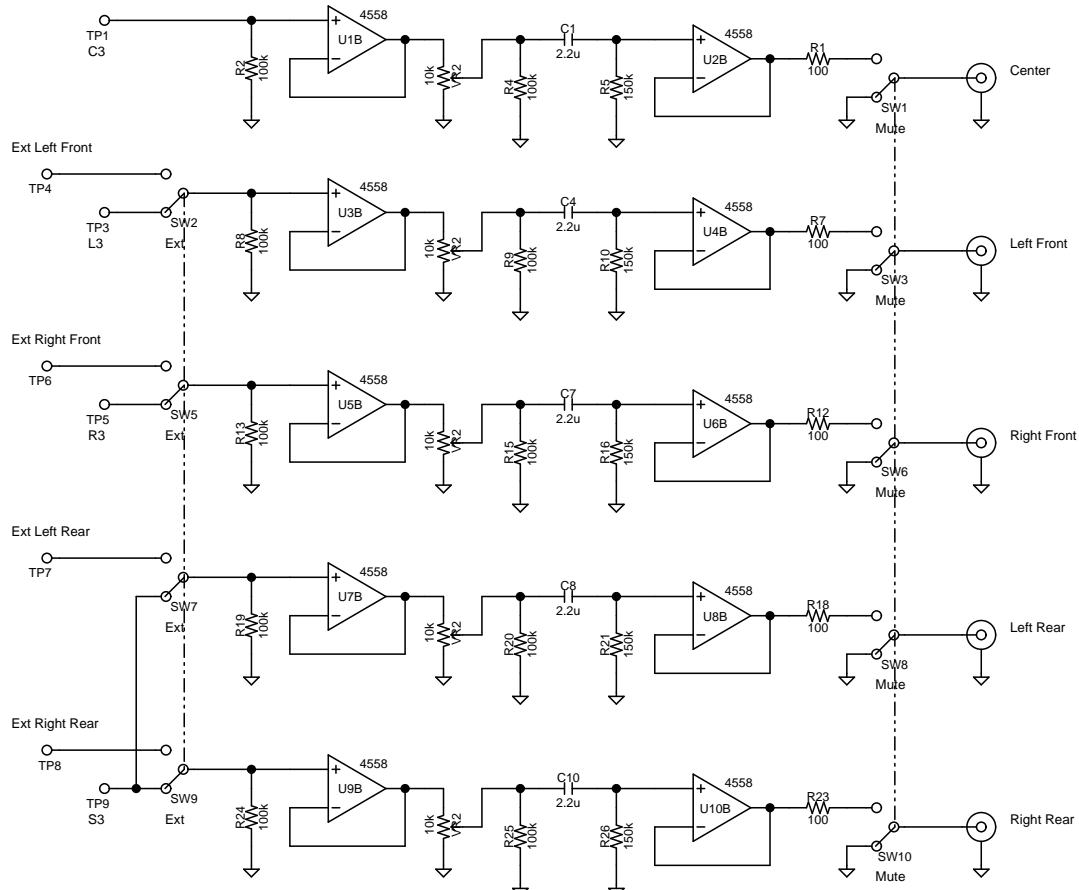


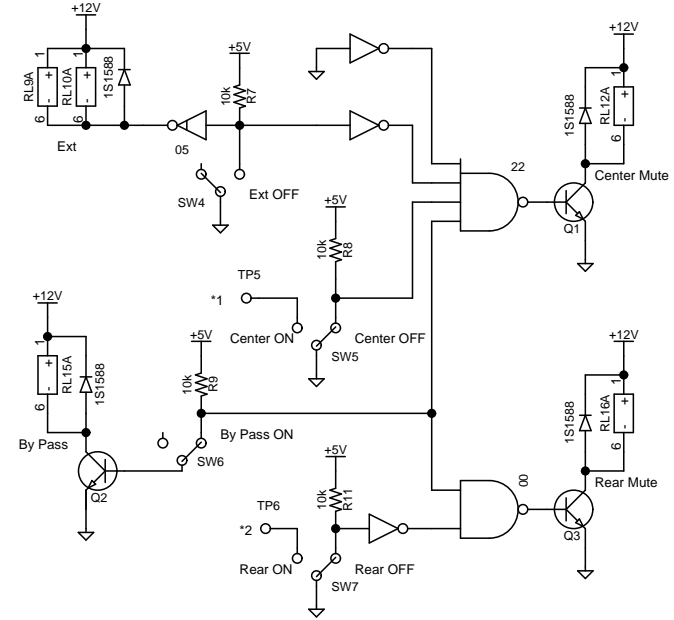
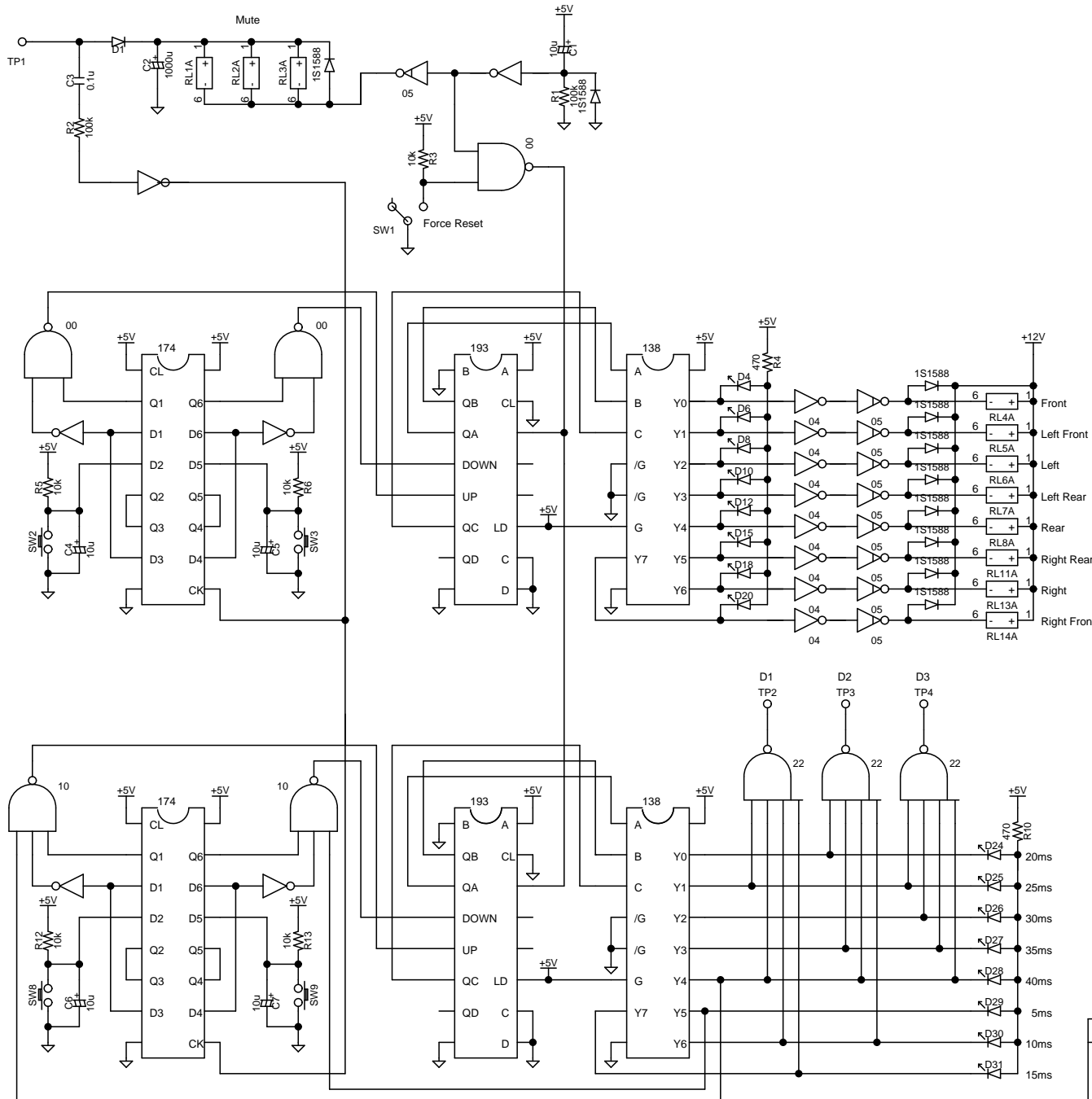
TITLE		DRAWING_No.	
_____		Dolby Pro Logic Decoder (1/4)	
SHEET	DATE	DESIGN	
/			



TITLE		DRAWING_No.	
		Dolby Pro Logic Decoder (2/4)	
SHEET	DATE	DESIGN	
1			



TITLE		DRAWING_No.	
		Dolby Pro Logic Decoder (3/4)[
SHEET	DATE	DESIGN	
/			



TITLE		DRAWING_No.	
		Dolby Pro Logic Decoder (4/4)	
SHEET	DATE	DESIGN	
1			