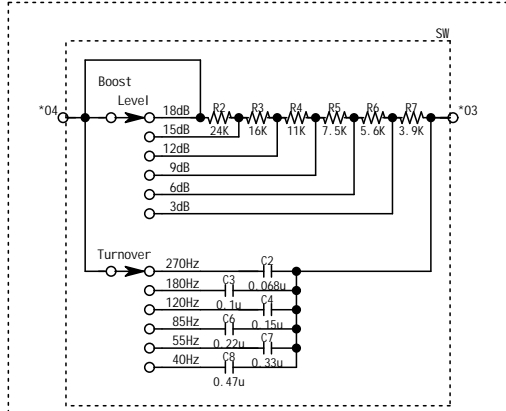
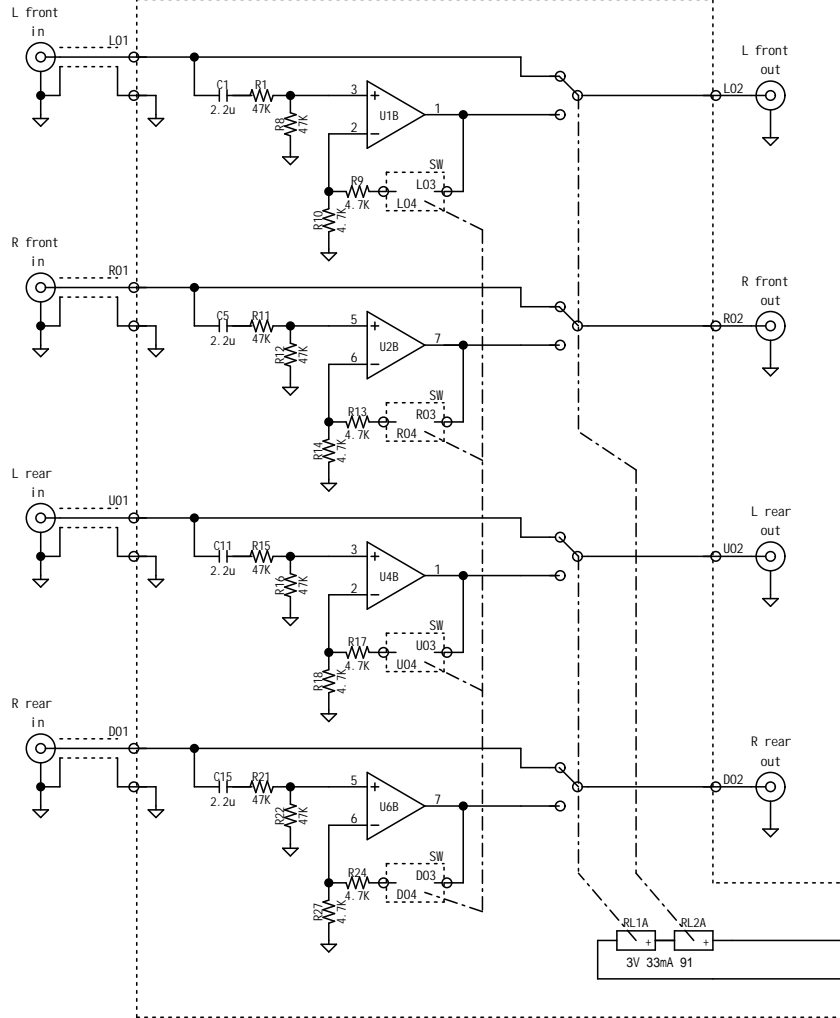
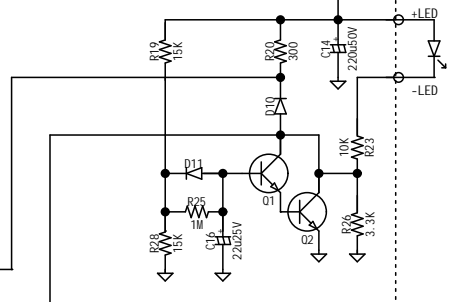
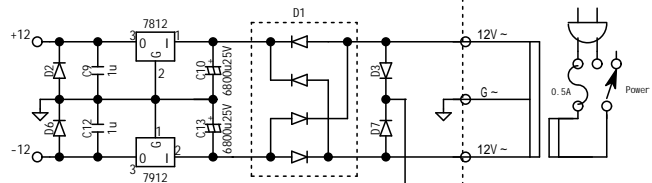


L01	L04
R01	R04
U01	U04
D01	D04
G	G
L03	L02
R03	R02
U03	U02
D03	D02
G	G



-LED	-LED
-12	-12
-12	-12
G	G
G	G
-12	-12
-12	-12



undeclared TR
is C1815
undeclared OPamp
is 5532DD

TITLE		DRAWING No.	
		Low Boost	
SHEET	DATE	DESIGN	
/	2012/07/26		