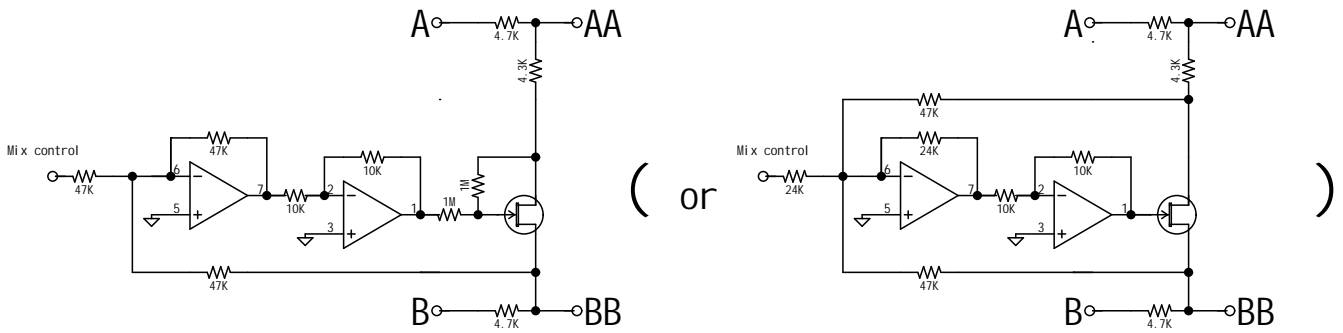
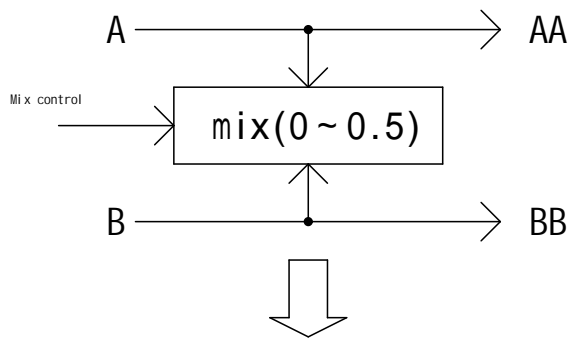


## mixing control



Mix	0 ~ 0.5 ( 0.34 / 0.65 )
AA	$A \sim A * 0.65 + B * 0.34$
BB	$B \sim B * 0.65 + A * 0.34$

## phase control

